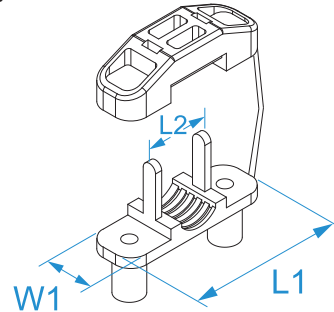


Product family: Nylon cable glands - Cable clamps
Item code: M932
Description: CABLE CLAMPS

Image



Technical drawing




Features

Complete with two screws for M3 plastic materials, 5x16 for fastening the cable holder on metal sheets with thickness from 0.6 to 1.5 mm. Suitable for the clamping of cables with sections from 3x0.75 to 3x2.5 mm² or with external diameter from 6 to 13 mm.
 Distance between the fixing holes on metal sheet: 31 - 0.1 mm.
 Holes diameter: 8 + 0 - 0.1.

Specifications

MATERIAL: black UL 94 V2 polyamide (PA 6.6)
OPERATING TEMPERATURE: 125 °C

Code	L1 (mm)	L2 (mm)	W1 (mm)	
M932	44,3	14,6	14,5	100/100

