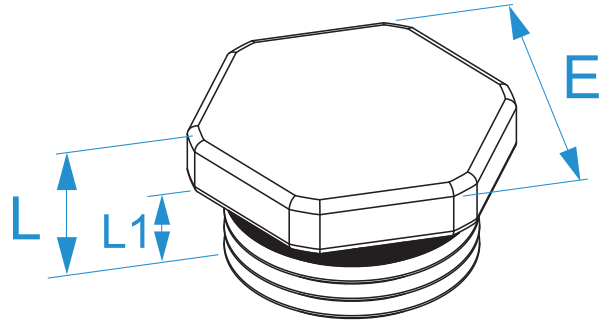


**Product family:** Brass cable glands - Metric thread  
**Item code:** 2612, 2616, 2620, 2625, 2632, 2640, 2650, 2663  
**Description:** ACCESSORIES FOR BRASS CABLE GLANDS: METRIC THREAD · IP68 · STOP-ENDS

**Image**




**Technical drawing**



**Specifications**

**MATERIAL:** nickel-plated brass  
**OPERATING TEMPERATURE:** from -40 °C to +100 °C  
**O-RING:** NBR (nitrile rubber), 70 Shore A  
**ASSEMBLY:** do not remove or move the gasket; tighten on a flat and smooth surface.

| Code | Metric thread size (EN60423) | L (mm) | L1 (mm) | E wrench (nut) |  |
|------|------------------------------|--------|---------|----------------|---|
| 2612 | M 12 x 1.5                   | 8      | 5       | 14             | 100/3500  |
| 2616 | M 16 x 1.5                   | 9      | 6       | 18             | 100/2500  |
| 2620 | M 20 x 1.5                   | 10     | 7       | 22             | 100/1200  |
| 2625 | M 25 x 1.5                   | 10     | 7       | 28             | 100/800   |
| 2632 | M 32 x 1.5                   | 12     | 8       | 36             | 100/400   |
| 2640 | M 40 x 1.5                   | 14     | 9       | 45             | 100/300   |
| 2650 | M 50 x 1.5                   | 15     | 9       | 55             | 50/150  |
| 2663 | M 63 x 1.5                   | 16     | 10      | 70             | 50/100  |

**IP68**