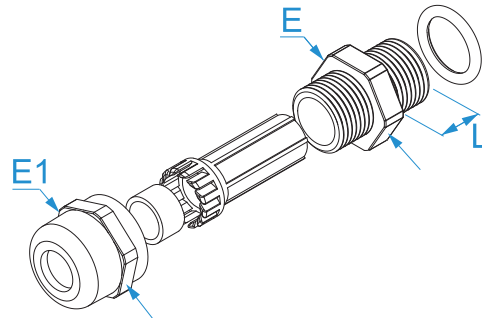


Product family: Brass cable glands - PG thread
Item code: 2507, 2509, 2511, 2513, 2516, 2521, 2529, 2536, 2542, 2548
Description: BRASS CABLE GLANDS · PG THREAD · IP68 · STANDARD

Image




Technical drawing



Specifications

MATERIAL: nickel-plated brass
OPERATING TEMPERATURE: from -40 °C to +100 °C
INNER GASKET AND O-RING: NBR (nitrile rubber), 70 Shore A
ACCORDING TO STD.: EN 62444:2013
ASSEMBLY: do not remove or move the gasket; tighten on a flat and smooth surface.
CAGE IN: polyamide (PA 6.6)

Code	PG thread size (DIN40430)	Ø cable (mm)	L (mm)	E wrench (nut)	E1 wrench (locknut)	
2507	PG 7	3 - 6,5	6	14	14	100/100
2509	PG 9	4 - 8	7	18	18	100/100
2511	PG 11	5 - 10	7	20	20	100/100
2513	PG 13.5	6 - 12	8	22	22	100/100
2516	PG 16	10 - 14	8	24	24	100/100
2521	PG 21	13 - 18	9	30	30	50/50
2529	PG 29	18 - 25	10	40	40	25/25
2536	PG 36	25 - 32	10	50	50	12/12
2542	PG 42	32 - 38	12	58	58	10/10
2548	PG 48	37 - 44	12	64	64	7/7

