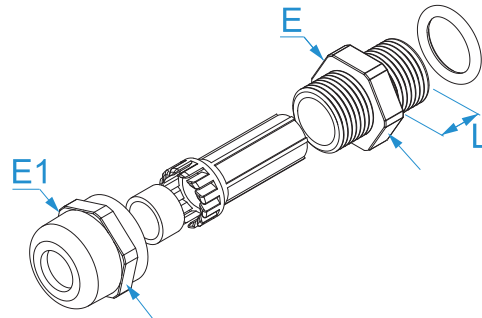


Product family: Brass cable glands - PG thread
Item code: 2507L, 2509L, 2511L, 2513L, 2516L, 2521L, 2529L, 2536L, 2542L, 2548L
Description: BRASS CABLE GLANDS · PG THREAD · IP68 · WITH LONG THREAD

Image




Technical drawing



Specifications

MATERIAL: nickel-plated brass
OPERATING TEMPERATURE: from -40 °C to +100 °C
INNER GASKET AND O-RING: NBR (nitrile rubber), 70 Shore A
ACCORDING TO STD.: EN 62444:2013
ASSEMBLY: do not remove or move the gasket; tighten on a flat and smooth surface.
CAGE IN: polyamide (PA 6.6)

Code	PG thread size (DIN40430)	Ø cable (mm)	L (mm)	E wrench (nut)	E1 wrench (locknut)	
2507L	PG 7	3 - 6,5	10	14	14	25/25
2509L	PG 9	4 - 8	10	18	18	25/25
2511L	PG 11	5 - 10	10	20	20	25/25
2513L	PG 13.5	6 - 12	10	22	22	25/25
2516L	PG 16	10 - 14	10	24	24	25/25
2521L	PG 21	13 - 18	12	30	30	25/25
2529L	PG 29	18 - 25	12	40	40	10/10
2536L	PG 36	25 - 32	15	50	50	5/5
2542L	PG 42	32 - 38	15	58	58	5/5
2548L	PG 48	37 - 44	15	64	64	5/5



IP68