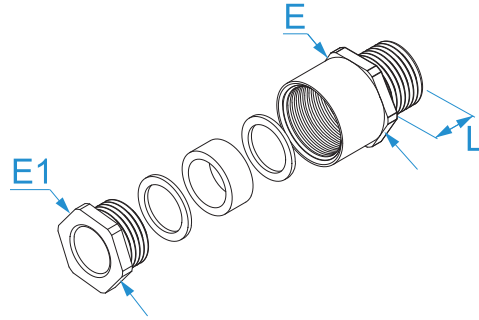


**Product family:** Brass cable glands - PG thread  
**Item code:** 2596, 2597, 2598, 2599, 2600, 2601, 2602, 2603, 2604, 2605  
**Description:** BRASS CABLE GLANDS · PG THREAD · IP54 · STANDARD

**Image**



**Technical drawing**



**Specifications**

**MATERIAL:** nickel-plated brass  
**OPERATING TEMPERATURE:** from -20 °C to +70 °C  
**INNER GASKET:** NBR (nitrile rubber), 70 Shore A  
**ASSEMBLY:** tighten on a flat and smooth surface

Code	PG thread size (DIN40430)	Ø cable (mm)	L (mm)	E wrench (nut)	E1 wrench (locknut)	
2596	PG 7	4 - 6	5	14	13	100/100
2597	PG 9	8 - 10	6	17	15	100/100
2598	PG 11	8 - 10	6	20	18	100/100
2599	PG 13.5	10 - 12	6,5	22	20	50/50
2600	PG 16	12 - 14	6,5	24	22	50/50
2601	PG 21	17 - 19	7	30	28	50/50
2602	PG 29	26 - 28	8	40	37	50/50
2603	PG 36	33 - 35	9	50	47	20/20
2604	PG 42	39 - 41	10	57	54	5/5
2605	PG 48	43 - 45	10	64	60	5/5



**IP54**