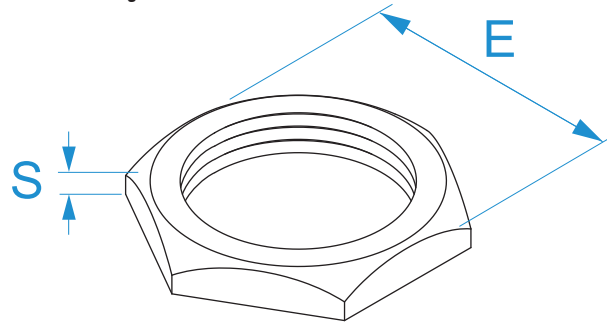


Product family: Brass cable glands - PG thread
Item code: 2696, 2697, 2698, 2699, 2700, 2701, 2702, 2703, 2704, 2705
Description: ACCESSORIES FOR BRASS CABLE GLANDS: PG THREAD · HEXAGONAL LOCKNUTS

Image



Technical drawing



Specifications

MATERIAL: nickel-plated brass
OPERATING TEMPERATURE: from -40 °C to +100 °C

Code	PG thread size (DIN40430)	E wrench (nut)	S (mm)	
2696	PG 7	15	2,8	
2697	PG 9	18	3	
2698	PG 11	21	3	
2699	PG 13.5	23	3	100/100
2700	PG 16	26	3,25	
2701	PG 21	32	3,5	
2702	PG 29	42	4	
2703	PG 36	51	5	50/50
2704	PG 42	60	5	10/10
2705	PG 48	65	5,5	