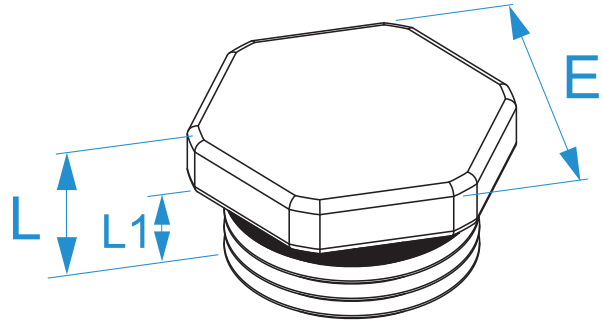


Product family: Brass cable glands - PG thread
Item code: 2796, 2797, 2798, 2799, 2800, 2801, 2802, 2803, 2804, 2805
Description: ACCESSORIES FOR BRASS CABLE GLANDS: PG THREAD · IP68 · STOP-ENDS

Image




Technical drawing



Specifications

MATERIAL: nickel-plated brass
OPERATING TEMPERATURE: from -40 °C to +100 °C
O-RING: NBR (nitrile rubber), 70 Shore A
ASSEMBLY: do not remove or move the gasket; tighten on a flat and smooth surface.

Code	PG thread size (DIN40430)	L (mm)	L1 (mm)	E wrench (nut)	
2796	PG 7	8	5	14	100/3500
2797	PG 9	9	6	17	100/2500
2798	PG 11	9	6	20	100/2000
2799	PG 13.5	10	7	22	100/1200
2800	PG 16	10	7	24	100/1000
2801	PG 21	11	7	30	100/500
2802	PG 29	12	8	40	100/300
2803	PG 36	15	9	50	50/150
2804	PG 42	16	10	60	50/100
2805	PG 48	16	10	65	25/100

IP68