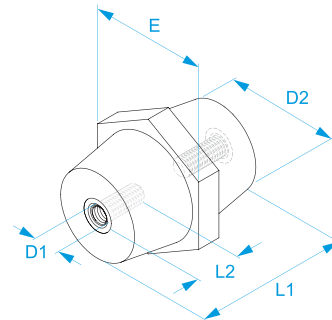


Product family: Panel boards components - Insulators and Spacers
Item code: QHEP01604, QHEP02004, QHEP02006, QHEP02505, QHEP02506, QHEP03006, QHEP03008, QHEP03506, QHEP03508, QHEP03510, QHEP04006, QHEP04008, QHEP04010, QHEP04506, QHEP04508, QHEP04510, QHEP05006, QHEP05008, QHEP05010, QHEP05012, QHEP06008, QHEP06010, QHEP06012, QHEP07010, QHEP07012, QHEP07512
Description: POLYESTER INSULATORS (L.V.)

Image



Technical drawing



Specifications

INSULATION MATERIAL: red polyester and fiberglass
INSERT MATERIAL: galvanized steel threaded according to ISO standards
INSULATION SELF-EXTINGUISHING: UL 94 V0
OPERATING TEMPERATURE: from -40 °C to +135 °C
APPLICATIONS: support of threaded and drilled copper bars

Code	L1 (mm)	D1	L2 (mm)	E wrench (mm)	D2 (mm)	Tightening torque (Nm)	AC Voltage (kV)	DC Voltage (kV)	Tensile strength (daN)	Bending strength (daN)	
QHEP01604	16	M4	3,5	14	11	1,5	0,6	0,8	80	25	50/50
QHEP02004	20	M4	5	18	14	2,5	0,8	1,1	182	65	25/25
QHEP02006	20	M6	5	18	14	5	0,8	1,1	195	75	
QHEP02505	25	M5	7	21	16	5	1	1,4	350	92	20/20
QHEP02506	25	M6	7	25	22	6	1	1,4	540	190	
QHEP03006	30	M6	9	32	24	6	1,2	1,6	532	154	10/10
QHEP03008	30	M8	9	32	25	15	1,2	1,6	796	240	
QHEP03506	35	M6	12	32	26	6	1,4	1,9	620	244	
QHEP03508	35	M8	12	32	26	15	1,4	1,9	670	250	10/10
QHEP03510	35	M10	12	32	26	20	1,4	1,9	805	190	
QHEP04006	40	M6	12	38	30	6	1,6	2,2	870	280	
QHEP04008	40	M8	12	39	31	20	1,6	2,2	860	340	10/10
QHEP04010	40	M10	12	38	30	25	1,6	2,2	1054	345	
QHEP04506	45	M6	12	40	32	10	1,8	2,5	990	310	
QHEP04508	45	M8	12	40	32	20	1,8	2,5	1100	345	10/10
QHEP04510	45	M10	12	40	32	30	1,8	2,5	1220	300	
QHEP05006	50	M6	12	46	35	10	2	2,8	1120	300	
QHEP05008	50	M8	17	46	35	20	2	2,8	1500	420	10/10
QHEP05010	50	M10	17	46	35	30	2	2,8	1550	500	
QHEP05012	50	M12	17	46	35	50	2	2,8	1511	472	
QHEP06008	60	M8	17	50	38	20	2,4	3,3	1200	253	
QHEP06010	60	M10	17	50	38	30	2,4	3,3	1570	410	4/4
QHEP06012	60	M12	17	50	38	50	2,4	3,3	1640	520	
QHEP07010	70	M10	22	55	41	30	2,8	3,9	1720	490	4/4
QHEP07012	70	M12	22	55	41	50	2,8	3,9	1800	500	
QHEP07512	75	M12	22	53	42	50	3	4,2	1840	540	4/4