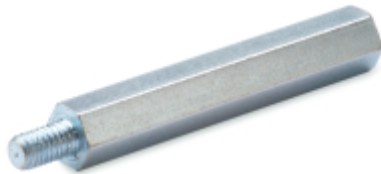
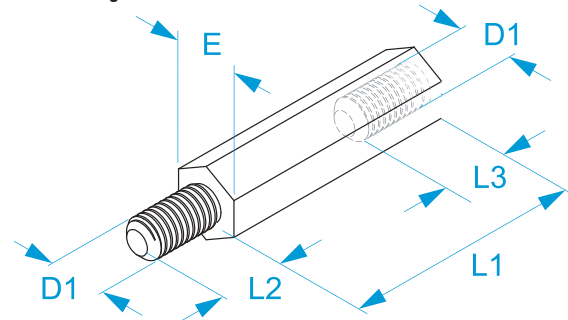


Product family: Panel boards components - Insulators and Spacers
Item code: QSMS015M4, QSMS020M4, QSMS025M4, QSMS030M4, QSMS040M4, QSMS050M4, QSMS060M4, QSMS015M5, QSMS020M5, QSMS025M5, QSMS030M5, QSMS040M5, QSMS050M5, QSMS060M5, QSMS080M5, QSMS015M6, QSMS020M6, QSMS025M6, QSMS030M6, QSMS040M6, QSMS050M6, QSMS060M6, QSMS080M6
Description: UNINSULATED SPACERS

Image



Technical drawing



Specifications

MATERIAL: galvanized steel male and female threaded
APPLICATIONS: support for plates, screens and profiles

Code	L1 (mm)	D1	L2 (mm)	L3 (mm)	E wrench (mm)	Tightening torque (Nm)		
QSMS015M4	15	M4	8	10	7	2,5	100/100	
QSMS020M4	20	M4	8	10	7	2,5		
QSMS025M4	25	M4	10	10	7	2,5		
QSMS030M4	30	M4	10	10	7	2,5		
QSMS040M4	40	M4	10	10	7	2,5		
QSMS050M4	50	M4	10	10	7	2,5		
QSMS060M4	60	M4	10	10	7	2,5	50/50	
QSMS015M5	15	M5	8	10	8	5		
QSMS020M5	20	M5	8	10	8	5		
QSMS025M5	25	M5	10	10	8	5		
QSMS030M5	30	M5	10	10	8	5		
QSMS040M5	40	M5	10	10	8	5		
QSMS050M5	50	M5	10	10	8	5	25/25	
QSMS060M5	60	M5	10	10	8	5		
QSMS080M5	80	M5	10	10	8	5		
QSMS015M6	15	M6	10	10	10	8		100/100
QSMS020M6	20	M6	10	10	10	8		
QSMS025M6	25	M6	10	10	10	8		
QSMS030M6	30	M6	10	10	10	8		
QSMS040M6	40	M6	10	10	10	8		
QSMS050M6	50	M6	10	10	10	8		
QSMS060M6	60	M6	10	10	10	8	50/50	
QSMS080M6	80	M6	10	10	10	8		