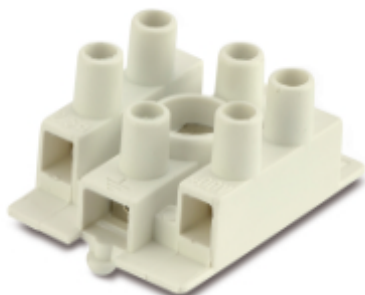
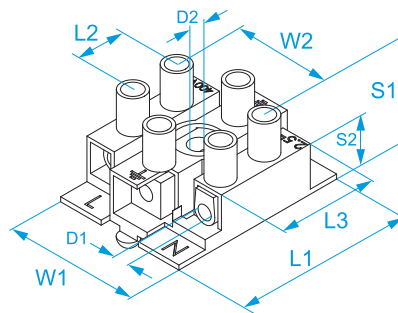



Product family: Terminal blocks - Multiway in nylon
Code: M096
Description: MULTIWAY TERMINAL BLOCKS · NYLON · 3-WAY · FOR DIRECT GROUNDING

Image:

Technical Drawing:

Specifications:

INSULATING HOUSING: polyamide (PA 6.6) natural color
CONDUCTIVE BODY: nickel-plated brass
CAPTIVE SCREW IN: galvanized steel (M3)
MARKING: L ↓ N on the ways
INSULATION SELF-EXTINGUISHING: EN 60695-2-10 a 850 °C
CONDUCTOR TYPE: rigid and flexible
MAX OPERATING TEMPERATURE: 100 °C
MAX SHORT-TIME TEMPERATURE: 160 °C
TEST VOLTAGE: 2500 V
ACCORDING TO STD.: EN 60998-1: 2004, EN 60998-2-1: 2004
ASSEMBLY: Grounding screw hole for metal sheets with thickness up to 1 mm: $\varnothing 3,5 \pm 0,1$. Drilling template as shown in the figure.
GROUNDING SCREW: M4x10
WAYS: 3

Code	Section (mm ²)	Rated voltage (V)	Test current (A)	Torque (Nm)	L1 (mm)	L2 (mm)	L3 (mm)	W1 (mm)	W2 (mm)	S1 (mm)	S2 (mm)	D1 (mm)	D2 (mm)	
M096	2,5	400	24	0,25	36	10	24	27	20,5	17,5	10	3,1	4,2	1000/1000

