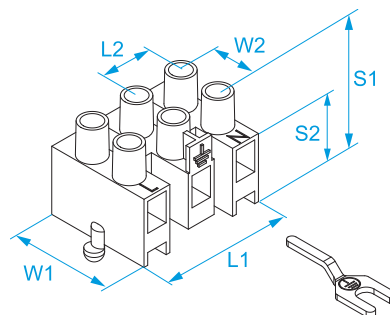


Product family: Terminal blocks - Multiway in nylon
Code: 963, 963CS
Description: MULTIWAY TERMINAL BLOCKS · NYLON · 3-WAY · FOR FIXING ON SHEET

Image:

Technical Drawing:

Specifications:

INSULATING HOUSING: polyamide (PA 6.6) white color
CONDUCTIVE BODY: nickel-plated brass
CAPTIVE SCREW IN: galvanized steel (M3)
GROUNDING FORK FOR M4 SCREW (T VERSION): brass
MARKING: L ↓ N on the ways
INSULATION SELF-EXTINGUISHING: EN 60695-2-10 a 850 °C
CONDUCTOR TYPE: rigid and flexible
MAX OPERATING TEMPERATURE: 110 °C
MAX SHORT-TIME TEMPERATURE: 160 °C
TEST VOLTAGE: 2500 V
ACCORDING TO STD.: EN 60998-1: 2004, EN 60998-2-1: 2004
ASSEMBLY: Drilling template as shown in the figure. Fasten on metal sheets with 0,6 ÷ 1 mm thickness by pressing the pins.
WAYS: 3

Code	Description	Section (mm ²)	Rated voltage (V)	Test current (A)	Torque (Nm)	L1 (mm)	L2 (mm)	W1 (mm)	W2 (mm)	S1 (mm)	S2 (mm)	
963		2,5	450	24	0,25	27	10	24,5	10	18,5	10,5	1000/1000
963CS	with stainless steel wire protection	2,5	450	24	0,25	27	10	24,5	10	18,5	10,5	

