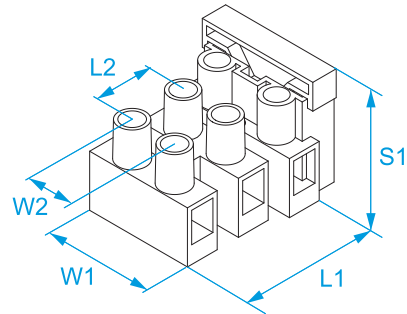


Product family: Terminal blocks - Multiway in nylon
Code: 971CS, 972CS, 973CS, 974CS, 975CS
Description: MULTIWAY TERMINAL BLOCKS · NYLON · FROM 1 TO 5 WAYS · WITH FUSE HOLDER · M097 SERIES WITH WIRE

Image:



Technical Drawing:



Wire protection version of the M097 series

Specifications:

INSULATING HOUSING: polyamide (PA 6.6) white color
CONDUCTIVE BODY: nickel-plated brass
CAPTIVE SCREW IN: galvanized steel (M3)
WIRE PROTECTION: stainless steel
FUSE: 5x20 fuse compliant to IEC 127 (not included)
INSULATION SELF-EXTINGUISHING: EN 60695-2-10 a 850 °C
CONDUCTOR TYPE: rigid and flexible
MAX OPERATING TEMPERATURE: 100 °C
MAX SHORT-TIME TEMPERATURE: 160 °C
TEST VOLTAGE: 2500 V
ACCORDING TO STD.: EN 60257, EN 60998-1: 2004, EN 60998-2-1: 2004
WAYS: 5

Section (mm ²)	Section (AWG)	Rated voltage (V)	Test current (A)	Max operating temperature (°C)	Torque (Nm)
----------------------------	---------------	-------------------	------------------	--------------------------------	-------------



2,5	-	450	24	100	0,25
-----	---	-----	----	-----	------

Code	L1 (mm)	L2 (mm)	L3 (mm)	L4 (mm)	W1 (mm)	W2 (mm)	S1 (mm)	
971CS	12,85	10	20	10	21	10	22,7	
972CS	22,05	10	20	10	21	10	22,7	
973CS	32,05	10	20	10	21	10	22,7	100/100
974CS	42,05	10	20	10	21	10	22,7	
975CS	52,05	10	20	10	21	10	22,7	

