



# TECHNICAL SHEET

No.

**41MA11A**

Issue

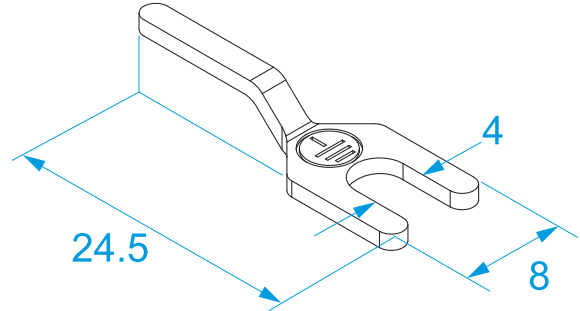
**V01.0 (EN)**

**Product family:** Terminal blocks - Multiway in nylon  
**Code:** 963T  
**Description:** ACCESSORIES FOR 963/963CS AND M092, M093, M094 SERIES · FORK TERMINAL FOR GROUNDING

**Image:**



**Technical Drawing:**



**Specifications:**

Code	Description	
963T	Fork terminal for grounding	100/1000