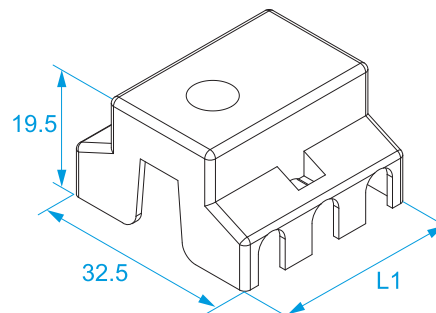


Product family: Terminal blocks - Multiway in nylon
Code: 933, 935
Description: ACCESSORIES FOR M093 SERIES · PROTECTION COVERS · FROM 3 TO 5 WAYS

Image:

Technical Drawing:

Specifications:

INSULATING HOUSING: polyamide (PA 6.6) natural color UL 94 V2
MAX OPERATING TEMPERATURE: 110 °C
ASSEMBLY: Snap onto M093 series terminal block or fasten with M3 screw through the through hole on the cover and terminal block.
WAYS: 5

Code	Terminal block ways	Color	L1 (mm)	
933	2-3	Natural	30	1000/1000
935	4-5	Natural	50	500/500

