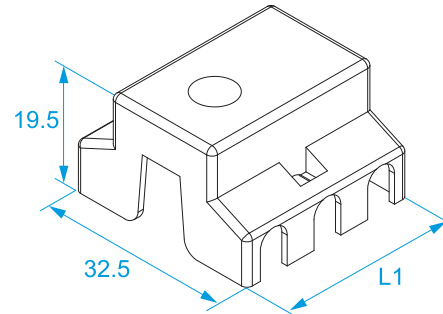



Product family: Terminal blocks - Multiway in nylon with fiberglass
Code: 933GF, 935GF
Description: ACCESSORIES FOR M093 SERIES · PROTECTION COVERS WITH FIBERGLASS · FROM 3 TO 5 WAYS

Image:

Technical Drawing:

Specifications:

INSULATING HOUSING: polyamide (PA 6.6) brown color and 25% fiberglass UL 94 V0
MAX OPERATING TEMPERATURE: 150 °C
ASSEMBLY: Snap onto M093 series terminal block or fasten with M3 screw through the through hole on the cover and terminal block.
WAYS: 5

Code	Terminal block ways	Color	L1 (mm)	
933GF	2-3	Brown	30	1000/1000
935GF	4-5	Brown	50	500/500

**HALOGEN
FREE**