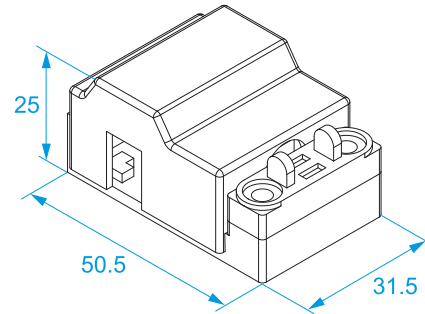


Product family: Terminal blocks - Multiway in nylon
Code: M0983, M0984, M098C
Description: ACCESSORIES FOR M093 AND M094 SERIES · TERMINAL-BLOCK BASES · 3 WAYS

Image:

Technical Drawing:


Polyamide holder with cable clamp and cover for M093 and M094 3 series terminal blocks.
 The holder can be supplied without cover.

Specifications:

INSULATING HOUSING: polyamide (PA 6.6) natural color UL 94 V2
MAX OPERATING TEMPERATURE: 100 °C
ASSEMBLY: Drilling template as shown in the figure
WAYS: 3

Code	Description	Terminal block ways	
M0983	Holder for M093 series	3	1000/1000
M0984	Holder for M094 series	3	
M098C	protection cover		500/500