



TECHNICAL SHEET

No.

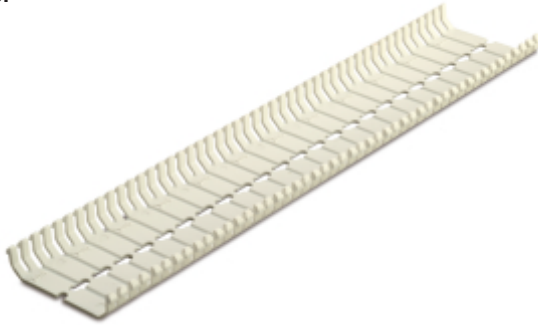
41MA11E

Issue

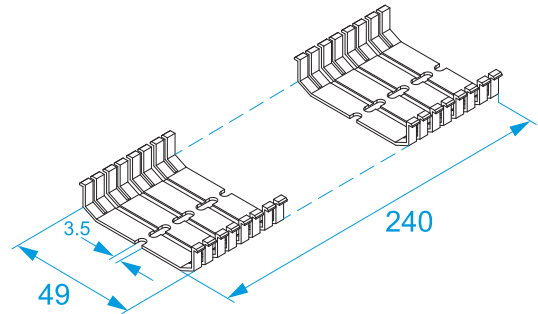
V01.1 (EN)

Product family: Terminal blocks - Multiway in nylon
Code: M099
Description: ACCESSORIES FOR M093 AND M094 SERIES · TERMINAL-BLOCK BASES · 24 WAYS

Image:



Technical Drawing:



Accessory for properly routing input and output cables, to increase the insulation between terminal blocks and board, and to protect against accidental exit of conductors from the terminal block.

Pre-cut for easy sizing based on the number of terminal block poles.

Specifications:

INSULATING HOUSING: polyamide (PA 6.6) white color UL 94 V2
MAX OPERATING TEMPERATURE: 125 °C
WAYS: 24

Code	Terminal block ways	
M099	1-24	50/200

