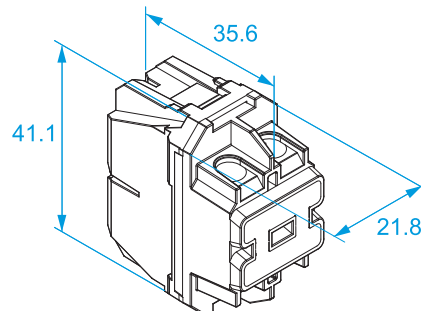


Product family: Products no longer in pricelist - Terminal blocks
Code: 999
Description: [OLD] MULTIWAY TERMINAL BLOCKS · POLYCARBONATE · 2 WAYS · BLUECONNECT


Image:

Technical Drawing:


BIPOLAR TERMINAL BLOCK. IT CAN BE INSTALLED ON THE BACK OF THE MODULAR BASES OF THE FOLLOWING MANUFACTURERS: BTICINO Living Classic, Living International, Light, Light Tech, LivingLight, Axolute VIMAR Plana, Plana Silver, Idea, Eikon, Eikon Next, Eikon Bianca GEWISS Playbus, System, Chorus

Specifications:

INSULATING HOUSING: transparent polycarbonate (PC) UL 94 V0
INSULATION SELF-EXTINGUISHING: EN 60669-1:1999+A1:2002+A2:2008, EN 60695-2-11
PROTECTION GRADE: IP20
ACCORDING TO STD.: EN 60998-1: 2004, EN 60998-2-1: 2004

| Code | Section (mm ²) | Rated voltage (V) | Stripping length (mm) |  |
|------|----------------------------|-------------------|-----------------------|---|
| 999 | 2,5 x 4 + 2,5 x 4 | 250 | 10 | 10/100 |

