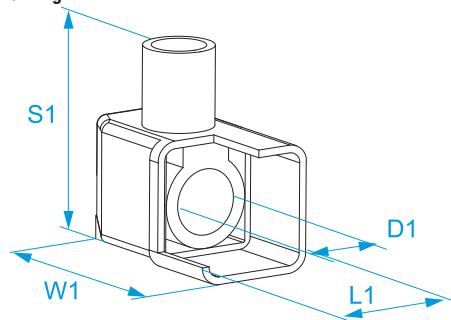


Product family: Terminal blocks - For free connections
Item code: 9960, 9961
Description: ONE-WAY TERMINAL BLOCKS - END CONNECTORS

Image




Technical drawing



Specifications

INSULATING HOUSING: transparent polycarbonate (PC) UL 94 V0
CONDUCTIVE BODY: brass
CAPTIVE SCREW IN: galvanized steel
INSULATION SELF-EXTINGUISHING: EN 60335-1: 2002+A2:2006 (par. 30.2.3), EN 60695-2-10 a 850 °C, EN 60695-2-11
CONDUCTOR TYPE: rigid and flexible
MAX OPERATING TEMPERATURE: 85 °C
PROTECTION GRADE: IP00
ACCORDING TO STD.: EN 60998-1: 2004, EN 60998-2-1: 2004

Code	Conductor section (mm ²)	Connection capability Section (mm ²)	Connection capability N. rigid conductors	Connection capability N. flexible conductors	Rated voltage (V)	Test current (A)	Screw	D1 (mm)	L1 (mm)	W1 (mm)	S1 (mm)	
9960	25	25	2	2	450	101	M10	12	22,5	36,3	41,9	25/25
		16	2 ÷ 3	2 ÷ 3								
		10	2 ÷ 4	2 ÷ 4								
9961	35	35	2	2	450	125	M10	13,9	26,1	43,5	49,4	25/25
		25	2 ÷ 3	2								
		16	2 ÷ 4	2 ÷ 3								

