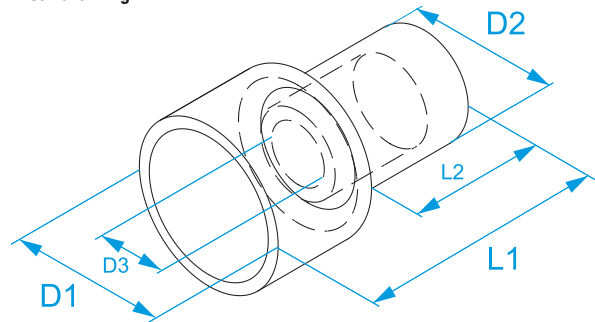


Product family: Terminals - Insulated connectors
Item code: 00170, 00270, 00370, 00470
Description: ONE-WAY TERMINAL BLOCKS · END CONNECTORS · FOR CRIMPING

Image




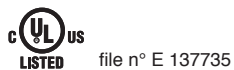
Technical drawing



Specifications

INSULATING HOUSING: polyamide (PA 6.6) natural color UL 94 V2
CONDUCTIVE BODY: tinned copper
MAX OPERATING TEMPERATURE: 105 °C
MAX RATED VOLTAGE: 600 V
ACCORDING TO STD.: UL486C
ASSEMBLY: the actual connection capacity changes according to the number and section of the conductors as shown in the application note (website)
CRIMPING TOOL: 528

Code	Conductor section (mm ²)	Conductor section (AWG)	ID tool	D1 (mm)	D2 (mm)	D3 (mm)	L1 (mm)	L2 (mm)	
00170	0,25 ÷ 1,5	(22-16)	2	6,2	5,6	2,6	15,2	6,8	100/1000
00270	1,5 ÷ 2,5	(16-14)	2	6,5	5,9	3,2	15,2	7	100/1000
00370	2,5 ÷ 6	(12-10)	5	9,4	7,3	4	17,8	8,5	50/500
00470•	6 ÷ 10	(20-10)	12	9,3	4,6	22,2	9,3	100/1000	



• No UL