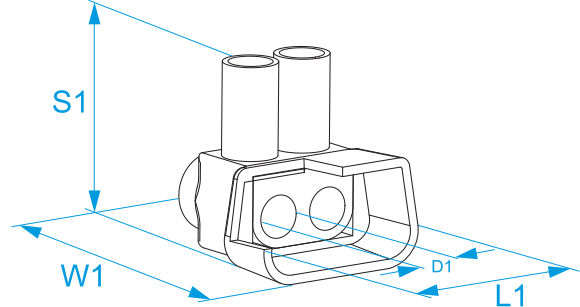


**Product family:** Terminal blocks - For free connections  
**Item code:** 9416, 9425, 9435  
**Description:** ONE-WAY TERMINAL BLOCKS · END CONNECTORS · 2 INPUTS

**Image**




**Technical drawing**



**Specifications**

**INSULATING HOUSING:** transparent polycarbonate (PC) UL 94 V0  
**CONDUCTIVE BODY:** brass  
**CAPTIVE SCREW IN:** galvanized steel  
**INSULATION SELF-EXTINGUISHING:** EN 60335-1: 2002+A2:2006 (par. 30.2.3), EN 60695-2-10 a 850 °C, EN 60695-2-11  
**CONDUCTOR TYPE:** rigid and flexible  
**MAX OPERATING TEMPERATURE:** 85 °C  
**PROTECTION GRADE:** IP20  
**ACCORDING TO STD.:** EN 60998-1: 2004, EN 60998-2-1: 2004

Code	Conductor section (mm <sup>2</sup> )	Connection capability Section (mm <sup>2</sup> )	Connection capability N. rigid conductors	Connection capability N. flexible conductors	Rated voltage (V)	Test current (A)	Screw	D1 (mm)	L1 (mm)	W1 (mm)	S1 (mm)	
9416	2 x 16	16	2	-	450	76	M5	5,5	20,5	22,6	24,5	30/30
		10		2								
		6		2								
9425	2 x 25	25	2	-	450	101	M6	7	25	26,2	25,4	20/20
		16		2								
		10		2								
9435	2 x 35	35	2	-	450	125	M8	9	32	31,2	33,4	10/10
		25		2								
		16		2								

