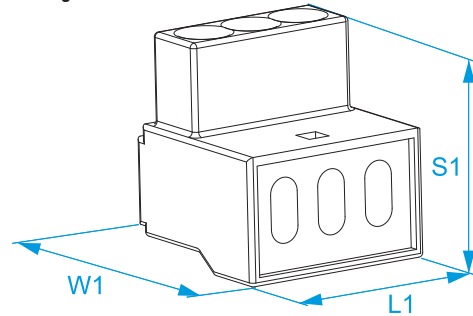


Product family: Terminal blocks - One-way
Item code: 996, 9984
Description: ONE-WAY TERMINAL BLOCKS - 3 INPUTS

Image



Technical drawing



Specifications

INSULATING HOUSING: transparent polycarbonate (PC) UL 94 V0
CONDUCTIVE BODY: brass
CAPTIVE SCREW IN: galvanized steel
INSULATION SELF-EXTINGUISHING: EN 60335-1: 2002+A2:2006 (par. 30.2.3), EN 60695-2-10 a 850 °C, EN 60695-2-11
CONDUCTOR TYPE: rigid and flexible
MAX OPERATING TEMPERATURE: 85 °C
ACCORDING TO STD.: EN 60998-1: 2004, EN 60998-2-1: 2004

Code	Conductor section (mm ²)	Rated voltage (V)	Test current (A)	Inputs	Stripping length (mm)	Screw	L1 (mm)	W1 (mm)	S1 (mm)	
996	1 ÷ 6	450	16	3	10	M4	22	21	24	50/50
9984	16 ÷ 35	750	125	3	18	M8	47	36,4	36	25/25

