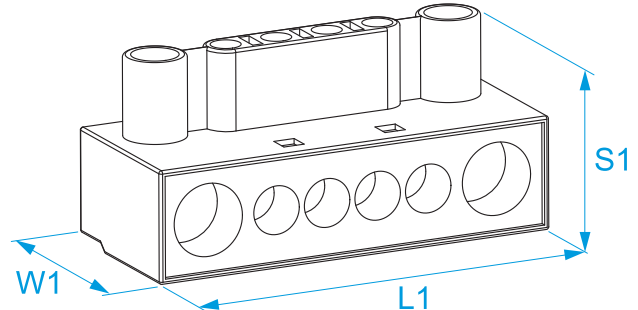


Product family: Terminal blocks - One-way
Item code: 9981, 9983
Description: ONE-WAY TERMINAL BLOCKS - 6 INPUTS

Image




Technical drawing



Specifications

INSULATING HOUSING: transparent polycarbonate (PC) UL 94 V0
CONDUCTIVE BODY: brass
SCREW IN: galvanized steel
INSULATION SELF-EXTINGUISHING: EN 60335-1: 2002+A2:2006 (par. 30.2.3), EN 60695-2-10 a 850 °C, EN 60695-2-11
CONDUCTOR TYPE: rigid and flexible
MAX OPERATING TEMPERATURE: 85 °C
PROTECTION GRADE: IP20
ACCORDING TO STD.: EN 60998-1: 2004, EN 60998-2-1: 2004

Code	Conductor section (mm ²)	Rated voltage (V)	Test current (A)	Inputs	Stripping length (mm)	Screw	L1 (mm)	W1 (mm)	S1 (mm)	
9981	(2,5 ÷ 6) x 4	750	40	6	11	M4	48	24	26	25/25
9983	(6 ÷ 16) x 4	750	125	6	16	M5	77	35	35	25/25

