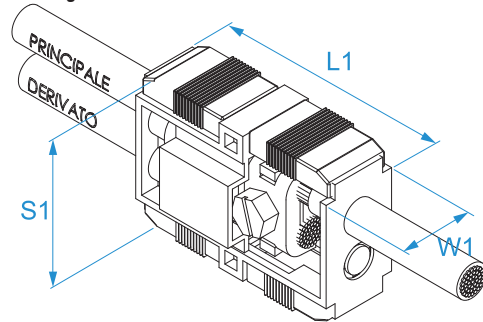


**Product family:** Terminal blocks - Indirect clamping terminal  
**Item code:** 95261, 95262, 95263, 95264  
**Description:** INDIRECT CLAMPING TERMINAL BLOCK · TWIN BLOCK

**Image**



**Technical drawing**



**Specifications**

**INSULATING HOUSING:** transparent polycarbonate (PC) UL 94 V0  
**CONDUCTIVE BODY:** nickel-plated die-cast brass  
**SAFETY CLIP IN:** black polyamide (PA 6.6)  
**SCREW IN:** galvanized steel  
**MAX OPERATING TEMPERATURE:** 85 °C  
**CLAMPING TYPE:** indirect  
**TEST VOLTAGE:** 2500 V  
**PROTECTION GRADE:** IP20  
**ACCORDING TO STD.:** EN 60947-7-1, EN 60998-1: 2004, EN 60998-2-1: 2004, EN 60999

Code	Conductor section (mm <sup>2</sup> )	Connectable flexible conductors Primary (mm <sup>2</sup> )	Connectable flexible conductors Derivative (mm <sup>2</sup> )	Rated voltage (V)	L1 (mm)	W1 (mm)	S1 (mm)	
95261	10-25	25	25	450	64	27	43	1/10
95262	25-50	50	50	450	71	34	49	1/10
95263	50-95	95	95	450	77	41	61	1/10
95264	70-120	120	120	450	90	50	72	1/5

