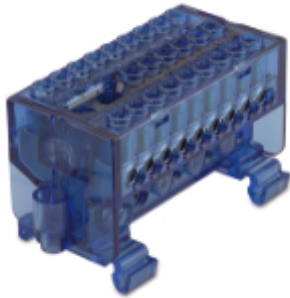
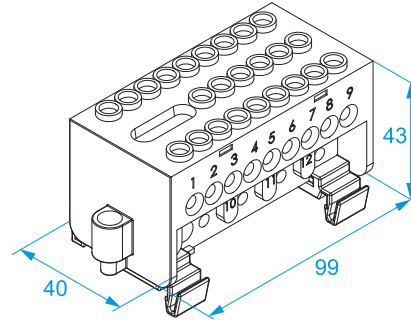


**Product family:** Modular distribution blocks - For one-way switchboards  
**Item code:** 9926  
**Description:** DISTRIBUTION BLOCK FOR GROUND CONNECTIONS

**Image**



**Technical drawing**



**Specifications**

**INSULATING HOUSING:** transparent polycarbonate (PC) UL 94 V0  
**CONDUCTIVE BODY:** nickel-plated brass  
**CAPTIVE SCREWS:** galvanized steel  
**MAX OPERATING TEMPERATURE:** 85 °C

Code	Overall inputs	Inputs	Conductor section (mm <sup>2</sup> )	Type of connection	
9926	26	Ø 9 x 2 Ø 5,4 x 24	16 ÷ 35 2,5 ÷ 10	↓	1/5

