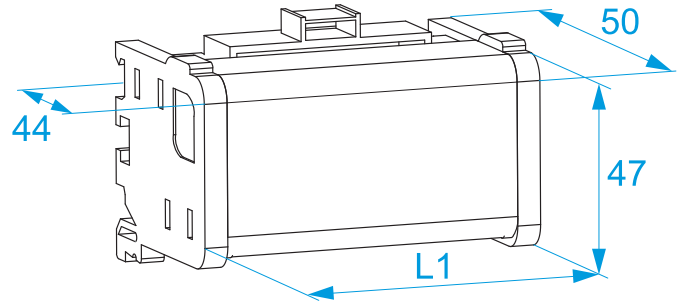


Product family: Products no longer in pricelist - Terminal blocks
Item code: 9904
Description: DISTRIBUTION BLOCKS - 2-WAYS 100 A

Image



Technical drawing



Specifications

INSULATING HOUSING: polycarbonate (PC)
CONNECTION BARS: brass
SCREWS: galvanized steel
INSULATION SELF-EXTINGUISHING: IEC 69522, UL 94 V0 IEC 69521 at 960 °C
RATED INSULATION VOLTAGE: 500 V
TEST VOLTAGE: 3000 V
TIGHTENING TORQUE ON THE SCREW: 2 Nm
TYPE OF MOUNT: on EN 50022 rail, via screws
ACCORDING TO STD.: EN 60947-7-1

| Code | N. of 17.5 mm modules | Peak Current I _{pk} (kA) | Connections for way (mm x Nr.) | Conductor section flexible with end-sleeve (mm ²) | Conductor section rigid (mm ²) | L1 (mm) | |
|------|-----------------------|-----------------------------------|--------------------------------|---|--|---------|-----|
| 9904 | 4 | 20 | Ø 7,5 x 2 Ø 5,3 x 5 | 1,5 - 6 6 - 16 | 2,5 - 6 10 - 25 | 70 | 1/5 |

