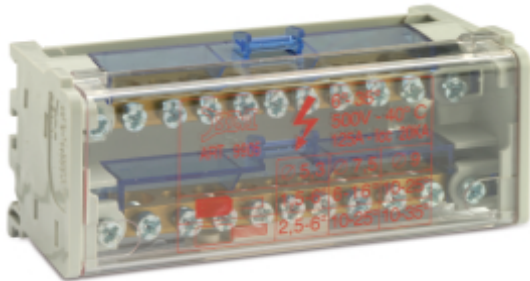
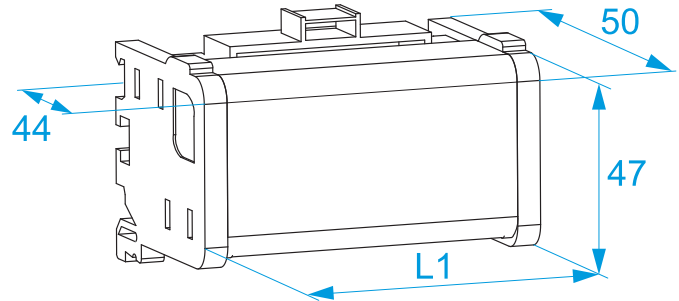


Product family: Products no longer in pricelist - Terminal blocks
Item code: 9905, 9906
Description: DISTRIBUTION BLOCKS - 2-WAYS 125 A

Image



Technical drawing



Specifications

INSULATING HOUSING: polycarbonate (PC)
CONNECTION BARS: brass
SCREWS: galvanized steel
INSULATION SELF-EXTINGUISHING: IEC 69522, UL 94 V0 IEC 69521 at 960 °C
RATED INSULATION VOLTAGE: 500 V
TEST VOLTAGE: 3000 V
TIGHTENING TORQUE ON THE SCREW: 2 Nm
TYPE OF MOUNT: on EN 50022 rail, via screws
ACCORDING TO STD.: EN 60947-7-1

Code	N. of 17.5 mm modules	Peak Current I _{pk} (kA)	Connections for way (mm x Nr.)	Conductor section flexible with end-sleeve (mm ²)	Conductor section rigid (mm ²)	L1 (mm)	
9905	6	20	Ø 9 x 2	1,5 - 6	2,5 - 6	105	
			Ø 7,5 x 2	6 - 16	10 - 25		
			Ø 5,3 x 7	10 - 25	10 - 35		
9906	8	18	Ø 9 x 2	1,5 - 6	2,5 - 6	140	
			Ø 7,5 x 2	6 - 16	10 - 25		
			Ø 5,3 x 11	10 - 25	10 - 35		

