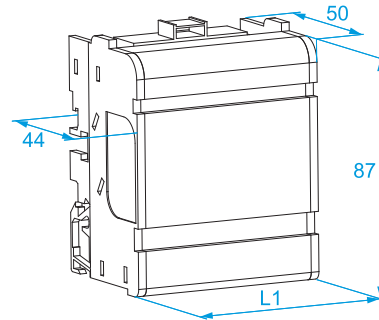


**Product family:** Products no longer in pricelist - Terminal blocks  
**Item code:** 9907  
**Description:** DISTRIBUTION BLOCKS - 4-WAYS 100 A

**Image**




**Technical drawing**



**Specifications**

**INSULATING HOUSING:** polycarbonate (PC)  
**CONNECTION BARS:** brass  
**SCREWS:** galvanized steel  
**INSULATION SELF-EXTINGUISHING:** IEC 69522, UL 94 V0 IEC 69521 at 960 °C  
**RATED INSULATION VOLTAGE:** 500 V  
**TEST VOLTAGE:** 3000 V  
**TIGHTENING TORQUE ON THE SCREW:** 2 Nm  
**TYPE OF MOUNT:** on EN 50022 rail, via screws  
**ACCORDING TO STD.:** EN 60947-7-1

Code	N. of 17.5 mm modules	Peak Current I <sub>pk</sub> (kA)	Connections for way (mm x Nr.)	Conductor section flexible with end-sleeve (mm <sup>2</sup> )	Conductor section rigid (mm <sup>2</sup> )	L1 (mm)	
9907	4	20	Ø 7,5 x 2 Ø 5,3 x 15	1,5 - 6 6 - 16	2,5 - 6 10 - 25	70	1/5

