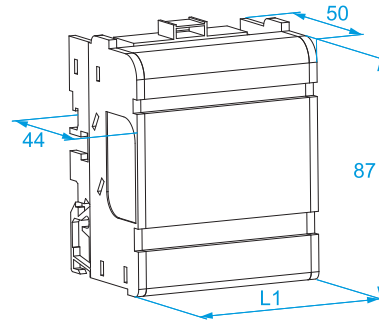


**Product family:** Products no longer in pricelist - Terminal blocks  
**Item code:** 9911, 9915  
**Description:** DISTRIBUTION BLOCKS - 4-WAYS 125 A

**Image**






**Technical drawing**



**Specifications**

**INSULATING HOUSING:** polycarbonate (PC)  
**CONNECTION BARS:** brass  
**SCREWS:** galvanized steel  
**INSULATION SELF-EXTINGUISHING:** IEC 69522, UL 94 V0 IEC 69521 at 960 °C  
**RATED INSULATION VOLTAGE:** 500 V  
**TEST VOLTAGE:** 3000 V  
**TIGHTENING TORQUE ON THE SCREW:** 2 Nm  
**TYPE OF MOUNT:** on EN 50022 rail, via screws  
**ACCORDING TO STD.:** EN 60947-7-1

Code	N. of 17.5 mm modules	Peak Current I <sub>pk</sub> (kA)	Connections for way (mm x Nr.)	Conductor section flexible with end-sleeve (mm <sup>2</sup> )	Conductor section rigid (mm <sup>2</sup> )	L1 (mm)	
9911	6	20	Ø 9 x 2	1,5 - 6	2,5 - 6	105	
			Ø 7,5 x 2	6 - 16	10 - 25		
			Ø 5,3 x 7	10 - 25	10 - 35		
9915	8	18	Ø 9 x 2	1,5 - 6	2,5 - 6	140	
			Ø 7,5 x 2	6 - 16	10 - 25		
			Ø 5,3 x 11	10 - 25	10 - 35		

