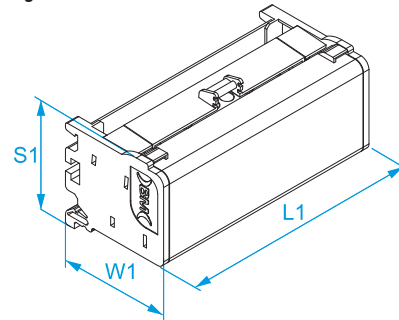


**Product family:** Modular distribution blocks - For 2-ways switchboards  
**Item code:** QM204017C, QM210007C, QM210015C, QM212507C, QM212511C, QM212515C  
**Description:** DISTRIBUTION BLOCKS - 2-WAYS - 40A, 100A, 125 A

**Image**




**Technical drawing**



**Specifications**

**INSULATING HOUSING:** polycarbonate (PC) UL 94 V0  
**PROTECTIONS:** transparent polycarbonate (PC) UL 94 V0  
**CONNECTION BARS:** brass  
**SCREWS:** galvanized steel  
**INSULATION SELF-EXTINGUISHING:** IEC/EN 60695-2-11 at 850 °C  
**AMBIENT TEMPERATURE:** 40 °C  
**RATED INSULATION VOLTAGE:** 500 V  
**POLLUTION DEGREE:** 3  
**ACCORDING TO STD.:** IEC/EN 60947-7-1

Code	Rated Current In (A)	Short-Time Current Icw (kA)	Peak Current Ipk (kA)	Connections for way (mm x Nr.)	Conductor section flexible with end-sleeve (mm <sup>2</sup> )	Conductor section rigid (mm <sup>2</sup> )	Tightening torque (Nm)	L1 (mm)	W1 (mm)	S1 (mm)	
QM204017C	40	4,5	20	Ø 6 x 2 Ø 4,3 x 15	4 - 10 0,75 - 4	6 - 16 1,5 - 4	2 - 3 1,2 - 1,5	140	50	47	
QM210007C	100	4,5	20	Ø 7,5 x 2 Ø 5,3 x 5	6 - 16 1,5 - 6	10 - 25 2,5 - 6	2 - 3 2 - 3	70	50	47	
QM210015C	100	4,5	20	Ø 8,5 x 2 Ø 5,5 x 7 Ø 4,5 x 6	10 - 25 1,5 - 6 0,75 - 4	10 - 25 2,5 - 6 1,5 - 4	2 - 3 2 - 3 1,2 - 1,5	140	50	47	
QM212507C	125	4,5	20	Ø 9 x 1 Ø 7,5 x 1 Ø 5,3 x 5	10 - 25 6 - 16 1,5 - 6	10 - 35 10 - 25 2,5 - 6	2 - 3 2 - 3 2 - 3	70	50	47	1/1
QM212511C	125	4,5	20	Ø 9 x 2 Ø 7,5 x 2 Ø 5,3 x 7	10 - 25 6 - 16 1,5 - 6	10 - 35 10 - 25 2,5 - 6	2 - 3 2 - 3 2 - 3	105	50	47	
QM212515C	125	4,5	20	Ø 9 x 2 Ø 7,5 x 2 Ø 5,3 x 11	10 - 25 6 - 16 1,5 - 6	10 - 35 10 - 25 2,5 - 6	2 - 3 2 - 3 2 - 3	140	50	47	

