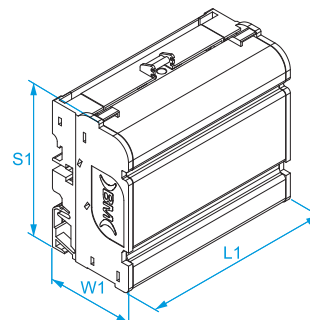


Product family: Modular distribution blocks - For 4-ways switchboards
Item code: QM404013C, QM410007C, QM410011C, QM410015C, QM412507C, QM412511C, QM412515C
Description: DISTRIBUTION BLOCKS - 4-WAYS - 40A, 100A, 125 A

Image



Technical drawing



Specifications

INSULATING HOUSING: polycarbonate (PC) UL 94 V0
PROTECTIONS: transparent polycarbonate (PC) UL 94 V0
CONNECTION BARS: brass
SCREWS: galvanized steel
INSULATION SELF-EXTINGUISHING: IEC/EN 60695-2-11 at 850 °C
AMBIENT TEMPERATURE: 40 °C
RATED INSULATION VOLTAGE: 500 V
POLLUTION DEGREE: 3
ACCORDING TO STD.: IEC/EN 60947-7-1

Code	Rated Current In (A)	Short-Time Current Icw (kA)	Peak Current Ipk (kA)	Connections for way (mm x Nr.)	Conductor section flexible with end-sleeve (mm ²)	Conductor section rigid (mm ²)	Tightening torque (Nm)	L1 (mm)	W1 (mm)	S1 (mm)	
QM404013C	40	4,5	20	Ø 6 x 2 Ø 4,3 x 11	4 - 10 0,75 - 4	6 - 16 1,5 - 4	2 - 3 1,2 - 1,5	105	50	87	1/1
QM410007C	100	4,5	20	Ø 7,5 x 2 Ø 5,3 x 5	6 - 16 1,5 - 6	10 - 25 2,5 - 6	2 - 3 2 - 3	70	50	87	
QM410011C	100	4,5	20	Ø 8,5 x 2 Ø 5,5 x 5 Ø 4,5 x 4	10 - 25 1,5 - 6 0,75 - 4	10 - 25 2,5 - 6 1,5 - 4	2 - 3 2 - 3 1,2 - 1,5	105	50	87	
QM410015C	100	4,5	20	Ø 8,5 x 2 Ø 5,5 x 7 Ø 4,5 x 6	10 - 25 1,5 - 6 0,75 - 4	10 - 25 2,5 - 6 1,5 - 4	2 - 3 2 - 3 1,2 - 1,5	140	50	87	
QM412507C	125	4,5	20	Ø 9 x 1 Ø 7,5 x 1 Ø 5,3 x 5	10 - 25 6 - 16 1,5 - 6	10 - 35 10 - 25 2,5 - 6	2 - 3 2 - 3 2 - 3	70	50	87	
QM412511C	125	4,5	20	Ø 9 x 2 Ø 7,5 x 2 Ø 5,3 x 7	10 - 25 6 - 16 1,5 - 6	10 - 35 10 - 25 2,5 - 6	2 - 3 2 - 3 2 - 3	105	50	87	
QM412515C	125	4,5	20	Ø 9 x 2 Ø 7,5 x 2 Ø 5,3 x 11	10 - 25 6 - 16 1,5 - 6	10 - 35 10 - 25 2,5 - 6	2 - 3 2 - 3 2 - 3	140	50	87	

