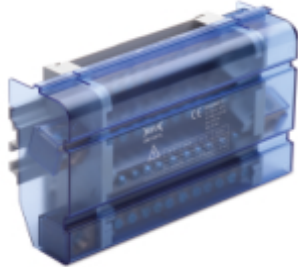
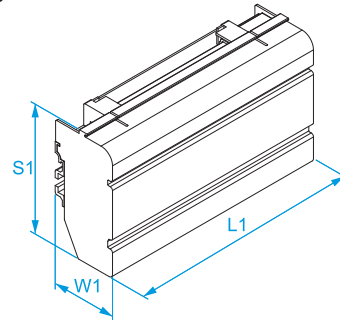


Product family: Modular distribution blocks - For 4-ways switchboards
Item code: QM416012L
Description: DISTRIBUTION BLOCKS - 4-WAYS - 160A

Image



Technical drawing



Specifications

INSULATING HOUSING: polycarbonate (PC) UL 94 V0
PROTECTIONS: transparent polycarbonate (PC) UL 94 V0
CONNECTION BARS: brass
SCREWS: galvanized steel
INSULATION SELF-EXTINGUISHING: IEC/EN 60695-2-11 at 850 °C
AMBIENT TEMPERATURE: 40 °C
RATED INSULATION VOLTAGE: 690 V
POLLUTION DEGREE: 3
ACCORDING TO STD.: IEC/EN 60947-7-1

Code	Rated Current In (A)	Short-Time Current Icw (kA)	Peak Current Ipk (kA)	Connections for way (mm x Nr.)	Conductor section flexible with end-sleeve (mm ²)	Conductor section rigid (mm ²)	Tightening torque (Nm)	L1 (mm)	W1 (mm)	S1 (mm)	
QM416012L	160	8,2	35	Ø 12 x 1	10 - 50	10 - 50	8 - 10	175	50	98	1/1
				Ø 8,5 x 3	10 - 25	10 - 35	2 - 3				
				Ø 7,2 x 7	1,5 - 16	2,5 - 16	2 - 3				
				Ø 5,5 x 1	1,5 - 6	2,5 - 6	2 - 3				

