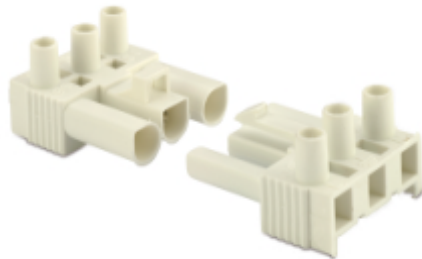
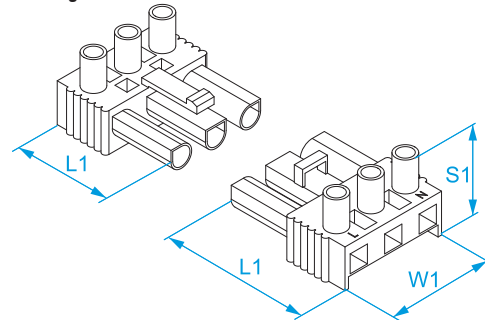


Product family: Terminal blocks - Polarized plug terminals
Item code: B9031, B9032, B9033, B9034, M9031, M9032, M9033, M9034
Description: POLARIZED PLUG TERMINALS · 3-WAY CONNECTORS · M903 SERIES

Image



Technical drawing



Specifications

BROWN PLUG AND SOCKET: polyamide (PA 6.6) and 25% fiberglass
WHITE PLUG AND SOCKET: polyamide (PA 6.6)
WHITE AND BLACK SHELL AND CABLE CLAMP: polyamide (PA 6.6)
CONDUCTIVE BODY IN: nickel-plated brass
CAPTIVE SCREW IN: galvanized steel
TEST CURRENT: 16 A
INSULATION SELF-EXTINGUISHING: EN 60335-1: 2002 +A2:2006 (par. 30.2.3), EN 60695-2-11
RATED IMPULSE VOLTAGE: 4 kV
CONDUCTOR TYPE: rigid and flexible
OPERATING CYCLES: 5000
RATED VOLTAGE: 400 V
POLLUTION DEGREE: 2
PROTECTION GRADE: IP20
ACCORDING TO STD.: EN 61984: 2009

Code	Description	Section (mm ²)	Operating temperature	Terminal Block Material	Terminal Block Color	Shells Material	Shells Color	Shells Cable clamp	W1 (mm)	L1 (mm)	S1 (mm)	
B9031	Male plug	2,5	from -10 °C to 105 °C max	PA 6.6	White			-	29	32	20	50/50
B9032	Female receptacle	2,5	from -10 °C to 105 °C max	PA 6.6	White			-	29	32	20	
B9033	Male plug with shell	2,5	from -10 °C to 105 °C max	PA 6.6	White	PA 6.6	White	4,5 - 10,5	32	57	23	50/50
B9034	Female receptacle with shell	2,5	from -10 °C to 105 °C max	PA 6.6	White	PA 6.6	White	4,5 - 10,5	32	57	23	
M9031	Male plug high temperature	2,5	from -10 °C to 150 °C max	PA 6.6 + fiberglass	Brown			-	29	32	20	50/50
M9032	Female receptacle high temperature	2,5	from -10 °C to 150 °C max	PA 6.6 + fiberglass	Brown			-	29	32	20	
M9033	Male plug high temperature with shell	2,5	from -10 °C to 105 °C max	PA 6.6 + fiberglass	Brown	PA 6.6	Black	4,5 - 10,5	32	57	23	50/50
M9034	Female receptacle high temperature with shell	2,5	from -10 °C to 105 °C max	PA 6.6 + fiberglass	Brown	PA 6.6	Black	4,5 - 10,5	32	57	23	

