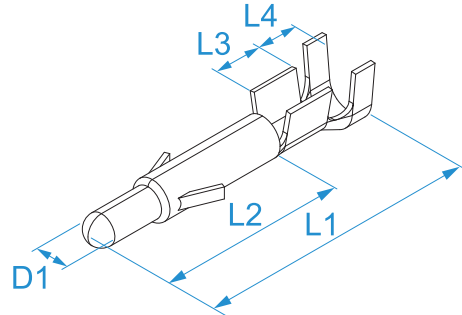


**Product family:** Terminal blocks - Automatic crimping connectors  
**Item code:** 02230, 02240  
**Description:** AUTOMATIC CRIMPING CONNECTORS · TERMINALS · M620 SERIES · REEL

**Image**



**Technical drawing**



**Specifications**

**TEST CURRENT:** 15 A  
**TERMINAL MATERIAL:** tinned brass  
**RATED VOLTAGE:** 300 AC/DC V  
**MAX CONTACT RESISTANCE:** 10 (20 after environmental testing) mΩ

Code	Type	Section (mm <sup>2</sup> )	Section (AWG)	Ø insulant (mm)	Operating temperature	Tools	L1 (mm)	L2 (mm)	L3 (mm)	L4 (mm)	D1 (mm)	
02230	male	0.5÷2.0	(20-14)	1.9 - 3.4	from -25 °C to 105 °C max	53P000 +53M2C2	20,5	12,8	3,2	2,8	2	4000/4000
02240	female	0.5÷2.0	(20-14)	1.9 - 3.4	from -25 °C to 105 °C max	53P000 +53M2C2	20,5	12,8	3,2	2,8	1,9	

