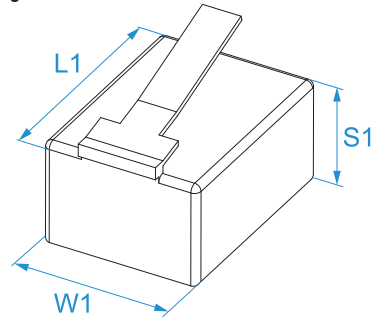


**Product family:** Terminal blocks - RJ plugs  
**Item code:** 01064, 01065, 01066  
**Description:** RJ PHONE PLUGS

**Image**



**Technical drawing**



**Specifications**

**CABLE TYPE:** phone cables  
**CONDUCTOR SECTION:** (26-24) AWG  
**INSULATING HOUSING:** transparent polycarbonate (PC) UL 94 V2  
**PIN MATERIAL:** phosphor bronze with 50 micro inch gilding

Code	Description	Positions - Contacts	Tools	W1 (mm)	L1 (mm)	S1 (mm)	
01064	RJ22	4P - 4C	549	6,5	12,5	7,5	
01065	RJ11/RJ14	6P - 4C	549	6,5	12,5	9,5	100/100
01066	RJ12	6P - 6C	549	6,5	12,5	9,5	