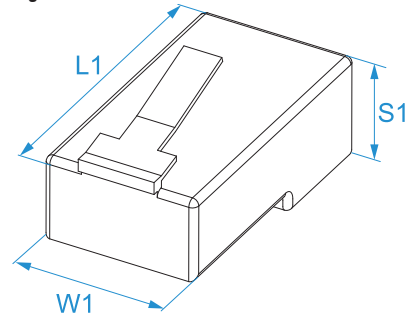


Product family: Terminal blocks - RJ plugs
Item code: 01068, 01069
Description: RJ 45 LAN PLUGS

Image



Technical drawing



Specifications

CABLE TYPE: 5e category (TIA/EIA-568-B)
CONDUCTOR SECTION: (26-24) AWG
INSULATING HOUSING: transparent polycarbonate (PC) UL 94 V2
PIN MATERIAL: phosphor bronze with 50 micro inch gilding

Code	Description	Positions - Contacts	Tools	W1 (mm)	L1 (mm)	S1 (mm)	
01068	RJ45	8P - 8C	549, 53P5YA	8	21	11,5	100/100
01069	fully shielded RJ45	8P - 8C	549, 53P5YA	8,2	21,2	117	