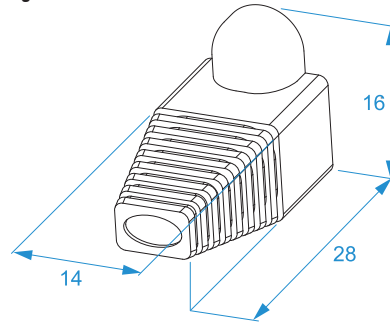


Product family: Terminal blocks - RJ plugs
Item code: 01060B, 01060N, 01060R, 01060V
Description: ACCESSORIES FOR RJ 45 - PLUG BOOTS

Image




Technical drawing



Specifications

MATERIAL: polycarbonate (PC) UL 94 V0

Code	Shells Color	
01060B	Blue	
01060N	Black	100/1000
01060R	Red	
01060V	Green	100/100