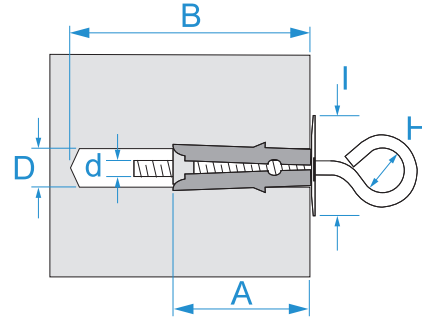


Product family: Fixings - Light fixings
Item code: F0451, F0452
Description: HEAVY DUTY ANCHORS · TM · WITH EYE HOOK

Image



Technical drawing



Specifications

WALL PLUG TYPE: anchors TM
WALL PLUG MATERIAL: galvanized steel
CONE MATERIAL: brass
SCREW MATERIAL: galvanized steel
INSTALLATION TYPE: non-through

Code	D (mm)	A (mm)	B (mm)	d (mm)	I (mm)	H (mm)	
F0451	8	40	50	M4	20	13	100/800
F0452	9	45	55	M5	24	14	50/500

