



# Technical sheet

No. **66VA04D**

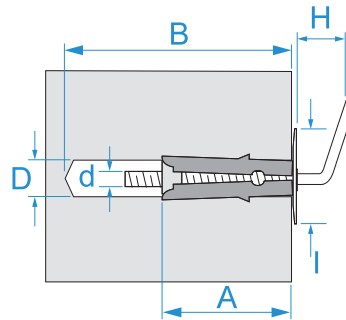
Issue **V01.0**

**Product family:** Fixings - Light fixings  
**Item code:** F0461, F0462  
**Description:** HEAVY DUTY ANCHORS · TM · WITH SHORT HOOK

Image



Technical drawing



### Specifications

**WALL PLUG TYPE:** anchors TM  
**WALL PLUG MATERIAL:** galvanized steel  
**CONE MATERIAL:** brass  
**SCREW MATERIAL:** galvanized steel  
**INSTALLATION TYPE:** non-through

Code	D (mm)	A (mm)	B (mm)	d (mm)	I (mm)	H (mm)	
F0461	8	40	50	M4	20	9	100/800
F0462	9	45	55	M5	24	10	100/100



TM