



Technical sheet

No. **66VA04E**

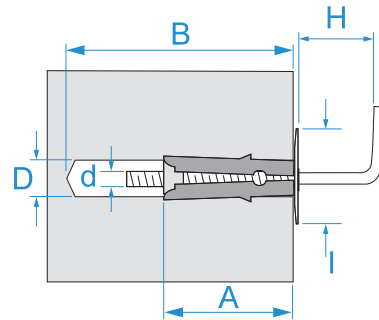
Issue **V01.0**

Product family: Fixings - Light fixings
Item code: F0441, F0442
Description: HEAVY DUTY ANCHORS · TM · WITH L-HOOK

Image



Technical drawing



Specifications

WALL PLUG TYPE: anchors TM
WALL PLUG MATERIAL: galvanized steel
CONE MATERIAL: brass
SCREW MATERIAL: galvanized steel
INSTALLATION TYPE: non-through

Code	D (mm)	A (mm)	B (mm)	d (mm)	I (mm)	H (mm)	
F0441	8	40	50	M4	20	12	100/800
F0442	9	45	55	M5	24	15	

