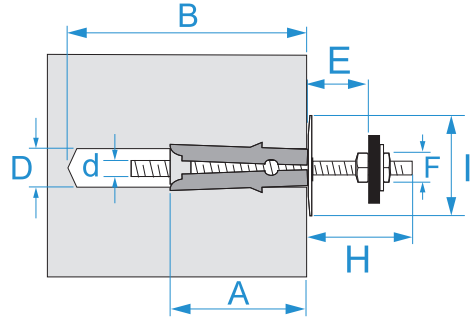


Product family: Fixings - Light fixings
Item code: F0481, F0482
Description: HEAVY DUTY ANCHORS · TM · WITH DOUBLE NUT

Image



Technical drawing



Specifications

WALL PLUG TYPE: anchors TM
WALL PLUG MATERIAL: galvanized steel
CONE MATERIAL: brass
SCREW MATERIAL: galvanized steel
INSTALLATION TYPE: non-through

Code	D (mm)	A (mm)	B (mm)	d (mm)	I (mm)	E max (mm)	H (mm)	F (mm)	
F0481	8	40	50	M4	20	25	35	7	100/800
F0482	9	45	55	M5	24	30	40	8	50/400

