



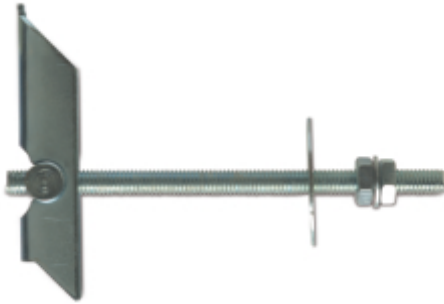
Technical sheet

No. **66VA06B**

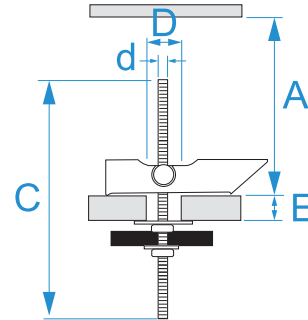
Issue **V01.0**

Product family: Fixings - Light fixings
Item code: F1186
Description: GRAVITY TOGGLE BOLTS - AG - WITH THREADED ROD AND DOUBLE NUT

Image



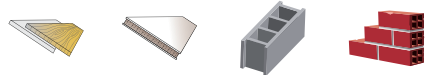
Technical drawing



Specifications

WALL PLUG TYPE: AG gravity toggle bolts
MATERIAL: galvanized steel
INSTALLATION TYPE: through

| Code | D (mm) | d x C | E max (mm) | A min (mm) | |
|-------|--------|----------|------------|------------|---------|
| F1186 | 16 | M6 x 100 | 31 | 67 | 100/100 |



AG