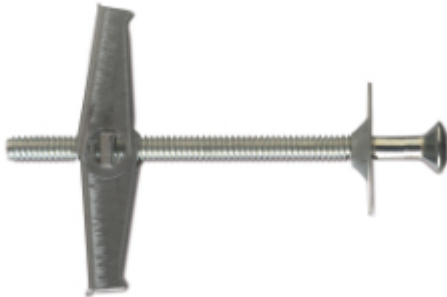
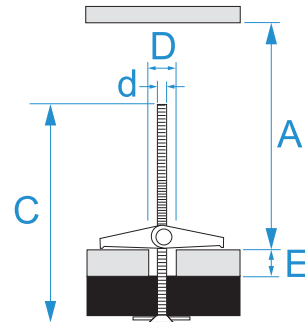


Product family: Fixings - Light fixings
Item code: F1014
Description: SPING TOGGLES- AM - WITH COUNTERSUNK HEAD PH SCREW

Image



Technical drawing



Specifications

WALL PLUG TYPE: AM sping toggles
MATERIAL: galvanized steel
INSTALLATION TYPE: non-through

Code	D (mm)	d x C	E max (mm)	A min (mm)	
F1014	14	M4 x 90	30	34	100/100

