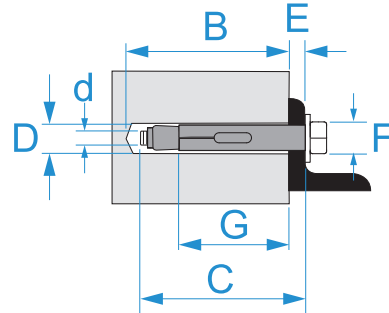


**Product family:** Fixings - Heavy duty fixings  
**Item code:** F3114, F3116, F3126, F3128, F3137, F3131  
**Description:** SLEEVE ANCHORS - TMP - WITH HEXAGONAL HEAD 6.8 SCREW

Image




Technical drawing



**Specifications**

**WALL PLUG TYPE:** anchors TMP  
**MATERIAL:** galvanized steel  
**INSTALLATION TYPE:** through

Code	D (mm)	B (mm)	d x C	E max (mm)	F (mm)	G min (mm)	
F3114	8	65	M6 x 65	15	10	40	100/1000
F3116	8	90	M6 x 90	40	10	40	150/900
F3126	10	65	M8 x 65	10	13	45	50/500
F3128	10	90	M8 x 90	35	13	45	50/300
F3137	12	75	M10 x 75	10	17	50	
F3131	12	115	M10 x 115	50	17	50	25/150



**TMP**