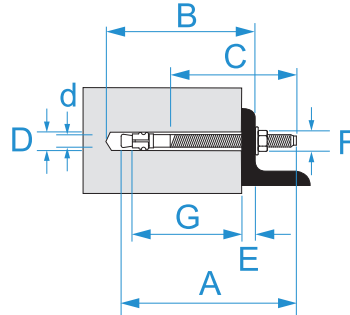


Product family: Fixings - Heavy duty fixings
Item code: F8003, F8004, F8005, F8006, F8007, F8008, F8009, F8010, F8011, F8012
Description: ANCHOR BOLTS · TPP · STEEL ANCHOR BOLT WITH NUT AND WASHER

Image



Technical drawing



Specifications

WALL PLUG TYPE: anchors TPP
MATERIAL: galvanized steel
INSTALLATION TYPE: through

Code	D (mm)	A (mm)	B (mm)	d x C	F (mm)	E (mm)	G (mm)	
F8003	8	75	75	M8 x 45	13	9/22	48/35	50/50
F8004	8	100	100	M8 x 70	13	34/47	48/35	100/100
F8005	10	75	75	M10 x 35	17	3/11	50/42	
F8006	10	90	90	M10 x 45	17	18/26	50/42	25/25
F8007	10	120	120	M10 x 80	17	48/56	50/42	
F8008	12	95	95	M12 x 40	19	7/17	70/50	50/50
F8009	12	110	110	M12 x 55	19	12/32	70/50	
F8010	12	140	140	M12 x 90	19	52/62	70/50	20/20
F8011	16	125	125	M16 x 75	24	6/26	87/64	25/25
F8012	16	150	150	M16 x 100	24	31/51	84/64	10/10



TPP