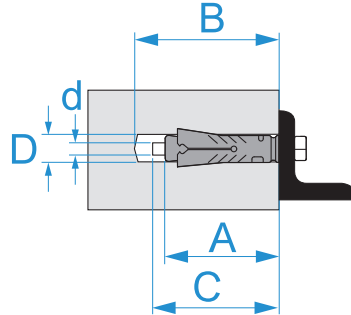


Product family: Fixings - Heavy duty fixings
Item code: F2011, F2012, F2013, F2014
Description: HEAVY DUTY ANCHORS · TMN · WITH HEXAGONAL HEAD 8.8 SCREW

Image



Technical drawing



Specifications

WALL PLUG TYPE: anchors TMN
MATERIAL: galvanized steel
INSTALLATION TYPE: non-through

| Code | D (mm) | A (mm) | B (mm) | d x C | E max (mm) | F (mm) | |
|-------|--------|--------|--------|-----------|------------|--------|-------|
| F2011 | 10 | 45 | 60 | M6 x 55 | 5 | 10 | 50/50 |
| F2012 | 12 | 50 | 65 | M8 x 60 | 5 | 13 | |
| F2013 | 15 | 60 | 90 | M10 x 85 | 10 | 17 | 25/25 |
| F2014 | 18 | 74 | 115 | M12 x 105 | 20 | 19 | 15/15 |



TMN