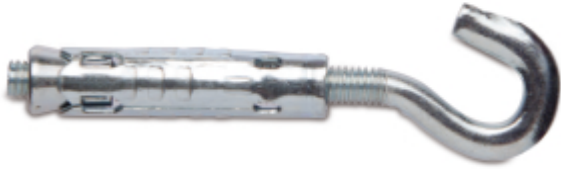
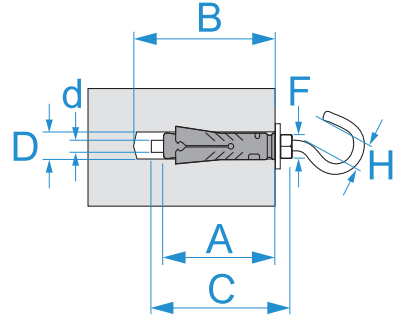


Product family: Fixings - Heavy duty fixings
Item code: F2031, F2032, F2033, F2034
Description: HEAVY DUTY ANCHORS · TMN · WITH 5.8 HOOK

Image



Technical drawing



Specifications

WALL PLUG TYPE: anchors TMN
MATERIAL: galvanized steel
INSTALLATION TYPE: non-through

Code	D (mm)	A (mm)	B (mm)	d x C	H (mm)	F (mm)	
F2031	10	45	60	M6 x 55	8	10	25/25
F2032	12	50	65	M8 x 60	10	13	
F2033	15	60	80	M10 x 73	12.5	17	10/10
F2034	18	74	100	M12 x 90	16	19	



TMN