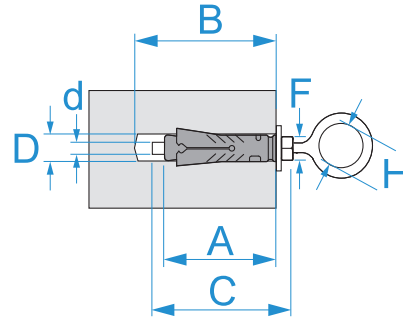


Product family: Fixings - Heavy duty fixings
Item code: F2051, F2052, F2053, F2054
Description: HEAVY DUTY ANCHORS · TMN · WITH 5.8 EYE HOOK

Image



Technical drawing



Specifications

WALL PLUG TYPE: anchors TMN
MATERIAL: galvanized steel
INSTALLATION TYPE: non-through

Code	D (mm)	A (mm)	B (mm)	d x C	H (mm)	F (mm)	
F2051	10	45	60	M6 x 55	10	10	50/50
F2052	12	50	65	M8 x 60	11	13	25/25
F2053	15	60	80	M10 x 73	14.5	17	20/20
F2054	18	74	100	M12 x 90	17	19	10/10



TMN