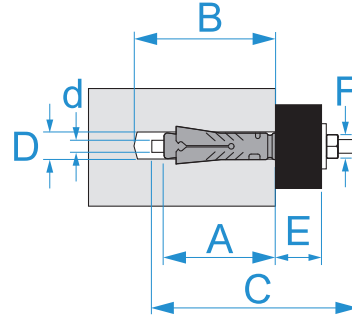


Product family: Fixings - Heavy duty fixings
Item code: F2081, F2082, F2083, F2084
Description: HEAVY DUTY ANCHORS · TMN · WITH THREADED ROD

Image




Technical drawing



Specifications

WALL PLUG TYPE: anchors TMN
MATERIAL: galvanized steel
INSTALLATION TYPE: non-through

Code	D (mm)	A (mm)	B (mm)	d x C	E max (mm)	F (mm)	
F2081	10	45	65	M6 x 70	5	10	100/100
F2082	12	50	80	M8 x 85	10	13	25/25
F2083	15	60	100	M10 x 105	20	17	50/50
F2084	18	74	125	M12 x 130	25	19	25/25



TMN