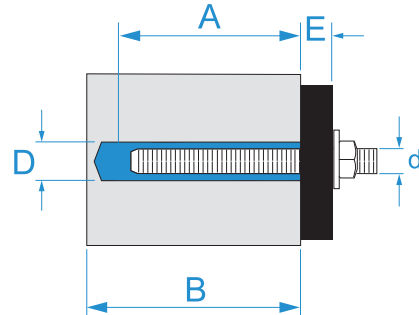


**Product family:** Fixings - Heavy duty fixings  
**Item code:** F9082, F9084, F9085, F9087  
**Description:** ACCESSORIES FOR CHEMICAL FIXINGS - BF 5.8 THREADED ROD

**Image**



**Technical drawing**



**Specifications**

**WALL PLUG TYPE:** accessories for chemical anchors

Code	D (mm)	B (mm)	d x C	E max (mm)	F (mm)	
F9082	10	80	M8 x 100	10	13	10/10
F9084	12	90	M10 x 110	10	17	
F9085	12	90	M10 x 135	35	17	
F9087	14	110	M12 x 115	10	19	

